

# AQR (Atmospheric Quick-Release Valve)



## AQR (Atmospheric Quick-Release Valve)

- Equalises pressure in vacuum gripper systems to provide fast release of product.
- Consumes no additional compressed air.
- ON/OFF activated simultaneously with the ejector.
- No additional controls required — use a single 3/2 control valve for the ejector and AQR.
- Optional with fitting kit containing straight connector G1/8" and nylon tube.

### Technical data

Description	Unit	Value
Feed pressure, range	MPa	0.3–0.7
Temperature range	°C	10–50
Connection, compressed air		G1/8"
Connection, vacuum		G1/8"
Flow, atmospheric	NI/s	3.3
Dimension, WxDxH	mm	20x22x16.5

### Technical data, specific

Description	Unit	Value
		0111236
Material		CuZn, PUR, NBR
Weight	g	24

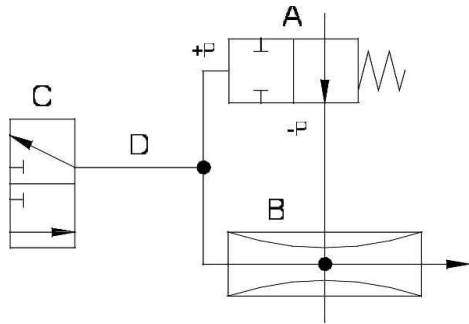
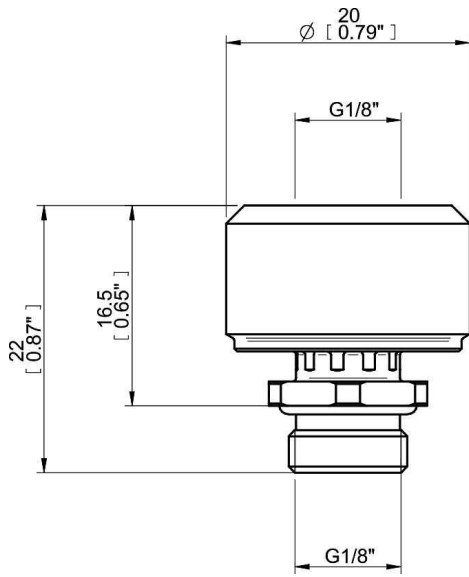
Ordering information

Description

Art. No.

Atmospheric quick-release valve – AQR

0111236



A=AQR, B=Vacuum pump, C=Control valve, D=Rec. max. 1.5m