

Clamp rings, complete



Clamp rings, complete



- Hygienic design.
- Spare part.

Technical data

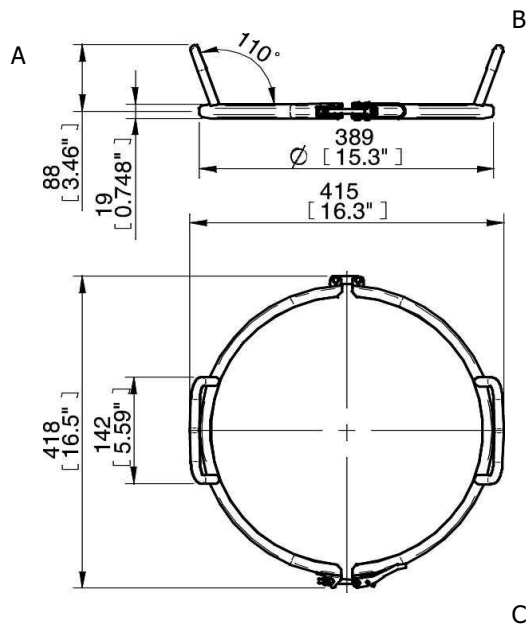
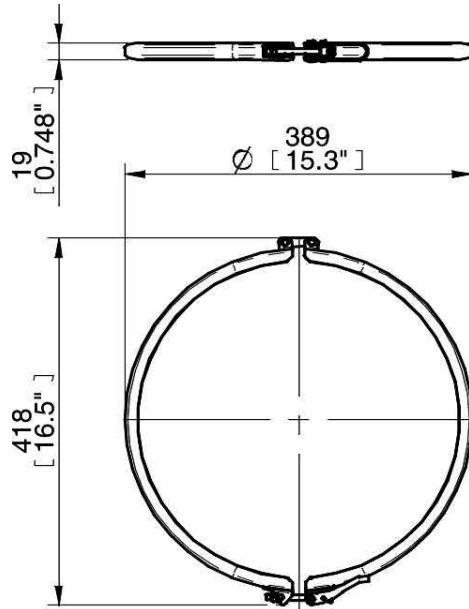
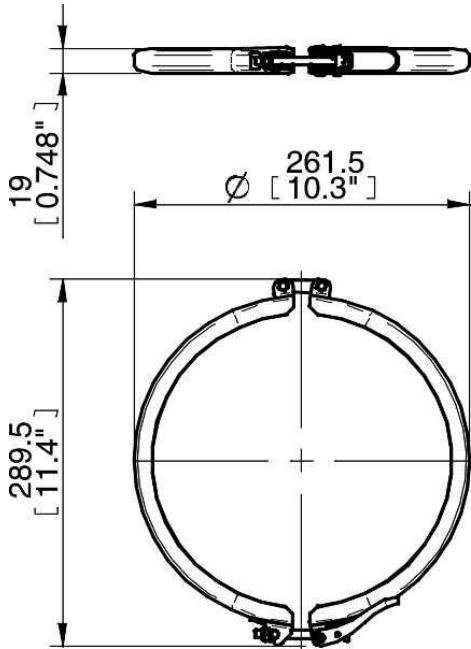
Description	Value
Material	ASTM 316L

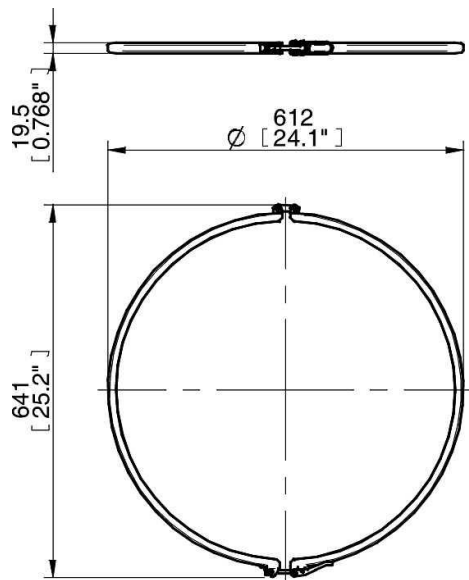
Technical data, specific

Description	Unit	Value			
		01.03.972	01.03.977	01.04.390	01.06.127
Weight	lb	0.99	1.38	1.82	2.11

Ordering information

	Description	Part .No
A	Clamp ring 21 cpl	01.03.972
B	Clamp ring 33 cpl	01.03.977
C	Clamp ring 33 cpl handles	01.04.390
D	Clamp ring 56 cpl	01.06.127





D